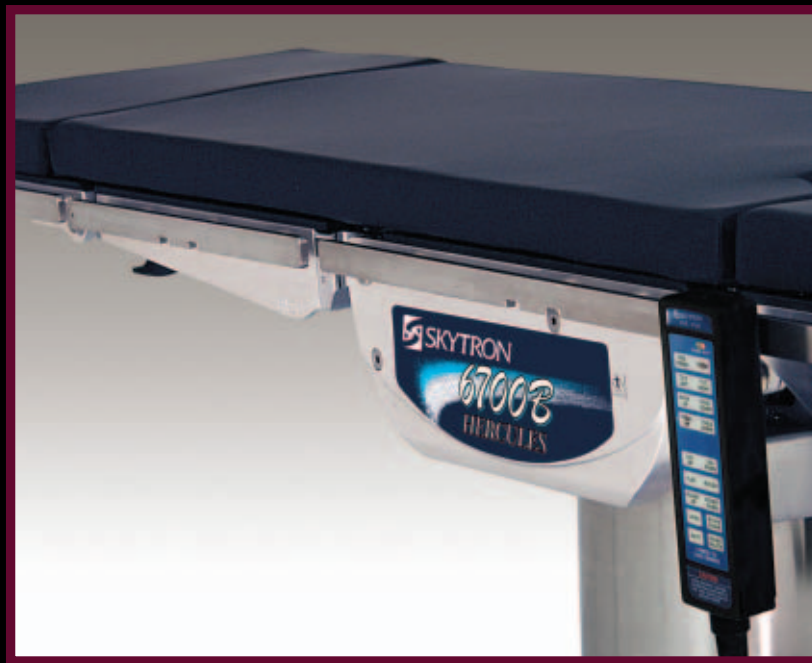


HERCULES 6700B Surgical Table



*The New Standard in Full Body Imaging,
Lift & Articulation Power*

The New Standard in Full Body Imaging, Lift & Articulation Power

The HERCULES 6700B surgical table represents the new standard in 21st Century Surgical Table design and performance, with unmatched imaging flexibility and even greater lift and articulation power. Features include 1,200 lb. lift and 1,000 lb. articulation capacity, removable back and leg sections (with optional carbon fiber back/leg section), 210° top rotation, 23" low table height, Auto Beach Chair position, 30° tilt, Trendelenburg, reverse Trendelenburg, and more! Optional Infrared (IR) Wireless Table Control is also available.

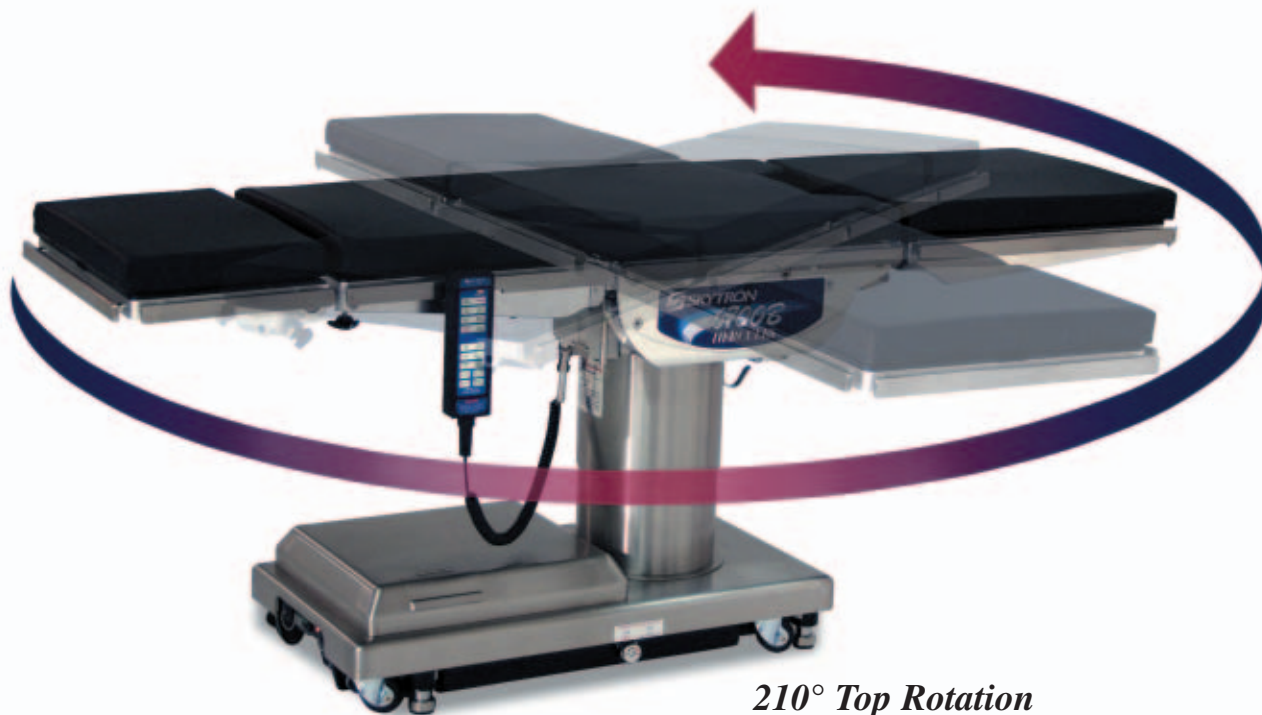


Optional table base sensors permit Infrared (IR) Wireless Table Control from anywhere around the perimeter of the patient.

From ease of set-up to the reduced need for multiple support accessories, the HERCULES 6700B is the most powerful, versatile and image-friendly surgical table available.

* C-Arm courtesy of Philips Medical Systems

Optimal C-Arm Compatibility with Enhanced Low Height Range



Exclusive 210° top rotation provides uncommon C-Arm flexibility and eliminates any conflict between Surgeon and Anesthesiologist during head-end procedures, while also providing generous leg room for standing or seated surgeons. A low height range of 23" off the floor is standard.



45° Rotation for ENT (Low Table Height to 23")



Upper Body Imaging



Lower Body Imaging

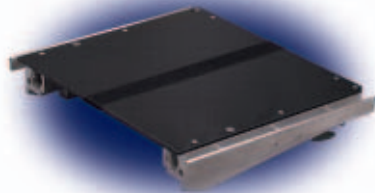


Urology

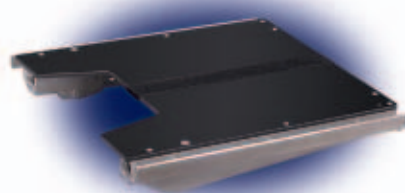
Removable Back and Leg Sections Optimize Image Flexibility Options



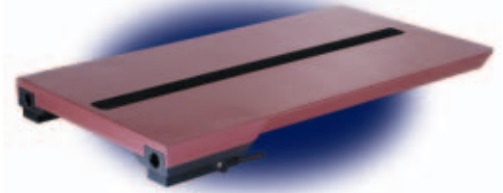
Removable back and leg sections permit the use of an optional 36" fully carbon fiber back/leg section, providing speedy, obstruction free imaging amplification for both Upper and Lower Body procedures.



Removable Back Section



Removable Leg Section



36" Carbon Fiber Back/Leg Section

Speedy Set-Ups & Auto Beach Chair Function for Specialty Procedures



Power Shoulder Arthroscopy Positioner featuring removable back section for General Purpose or Bariatric Applications.



Auto Beach Chair Function is capable of handling patients of any size, at “The Touch of a Button”.

Low Table Height Adjustment to 23", When and Where It Is Needed Most



From General Purpose to Bariatric Surgery, the HERCULES 6700B Does it All!

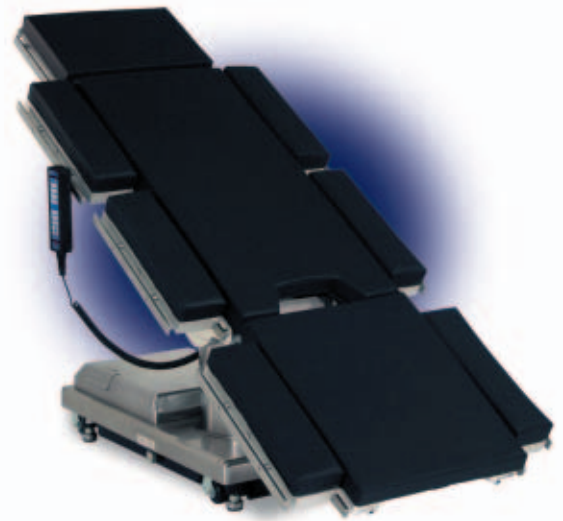
- 1,200 lb. Lift & 1,000 lb. Articulation Capacity
- 30° Patient Articulation including Tilt, Trendelenburg and Reverse Trendelenburg
- 23" Low Height Adjustment
- Full Body Imaging Coverage
- Automatic 4-Point, Self-leveling Brake Safety System
- *Full Line* Bariatric Table Accessories



***Tested to 4X the Weight Safety
Factor of 4,800 lbs.!***

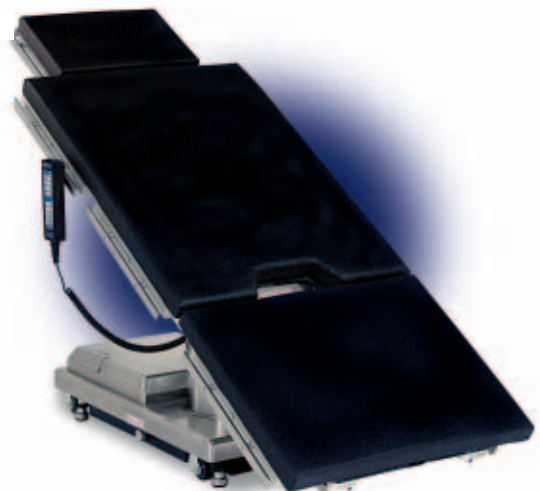
Big Patient Needs, BIGGER Table Solutions

When a wider table top is required, the HERCULES 6700B provides simple and speedy set-up with side extension accessories that can quickly widen the table top to 30”.



Standard Table Pads with Side Extensions widen Table Top to 30”.

Table pads are available as shown above, or as solid 30” wide table pads. HERCULES 6700B is ready when you are, with unmatched Lifting Power, Ease of Patient Set-Up and Positioning Versatility for every procedure!



Solid 30” Table Pads with Side Extensions are also available.

Feature for Feature, the Most Powerful & Versatile in the Industry!

1,200 lb. Lift & 1,000 lb. Articulating Capacity

Head section can be used as a foot extension during transfer.

Exclusive removable back section allows for optional 36" Carbon Fiber Back/Leg Section attachment.

Built-in power kidney bridge provides an additional 5-3/4" of lift.

Optional snap-on raised radiographic top permits fast, easy side loading of full-size X-Ray cassettes.

Radiolucent top permits clear, sharp image amplification.

Adjustable head section can be extended to accommodate taller patients.

Full width quick-release bar on manually operated head section is easy to locate in emergency situations.



Return-to-Level & Automatic Beach Chair Functions

Durable one-touch, back-lit pendant controls all functions from any point around the perimeter of the table.

Optional Infrared (IR) Table Control Sensor

Back-up controls for emergency situations.



Battery life indicator.

Recharge port

Optional three-function foot control.



Narrow base design provides toe space clearance to eliminate surgeon back strain.

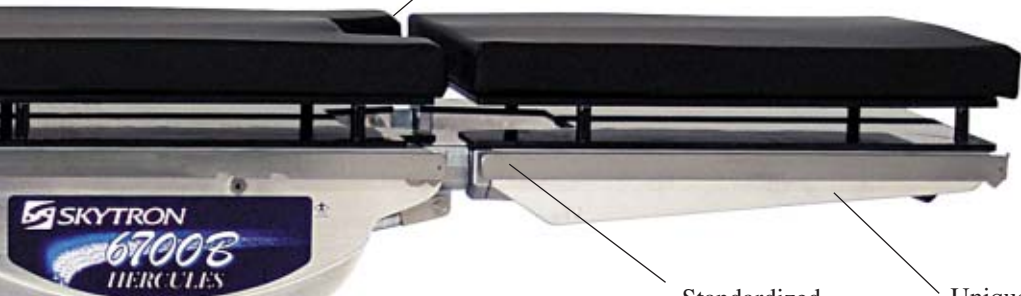
Optional Infrared (IR) Wireless Table Control

ile General Purpose/Bariatric Surgical Table

Exclusive 210° rotating top facilitates C-arm access, patient positioning and surgeon comfort.

Large perineal cut-out for better access.

Removable leg section allows for *optional* 36" Carbon Fiber Back/Leg Section attachment.



Fluid resistant stainless steel base and column are durable and easy to clean.

Standardized side rails accept most accessories.

Unique frame construction eliminates cross-members and allows unobstructed C-arm access.

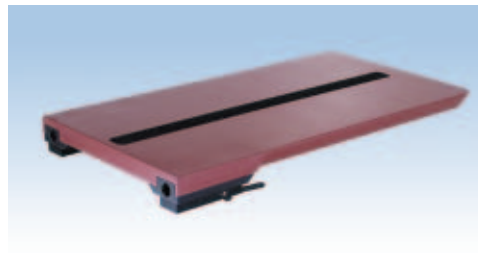
23" Low Table Height

4-point brake system maximizes table stability.

Self-leveling brakes automatically compensate for uneven floors and assure a solid work surface.

Fully mechanical brake release.

Swivel casters permit side movement for ease of cleaning between cases.



Optional 36" Carbon Fiber Back/Leg Section provides for obstruction free upper and lower body imaging.

Exclusive Removable Back & Leg Sections

Durable Back-lit, One Touch Pendant Control

It's simply the easiest pendant control to use from any spot around the table, with convenient back-lighting for low light applications.

- Simple One Touch Operation
- Back-Lit Control for High Visibility in Low Lighting
- Audible Alarm for Kidney Bridge / Back Up Articulation
- Anatomically Correct **Return-to-Level**
- Anatomically Correct **Beach Chair Position**
- Recessed Buttons Eliminate Accidental Activation
- Exceptionally Durable, Water Resistant
- Can be used in conjunction with *optional* Three Function Foot Control
- Pendant Rebuild Exchange Program
- *Optional* Wireless, Infrared (IR) Table Control



Versatile Height Range, Automatic Beach Chair Position



44" Maximum Table Height

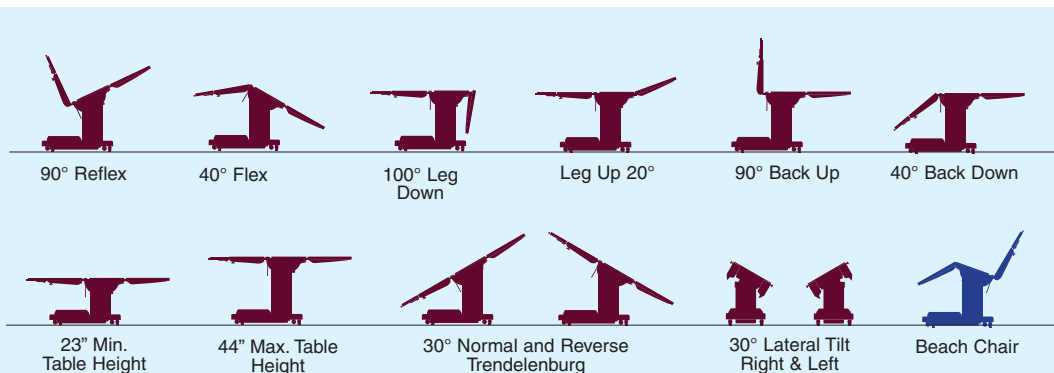


Automatic Beach Chair Position



23" Minimum Table Height

Optimally Versatile Table Functions for Today's Most Demanding Procedures



HERCULES 6700B General Purpose Positioning Guidelines



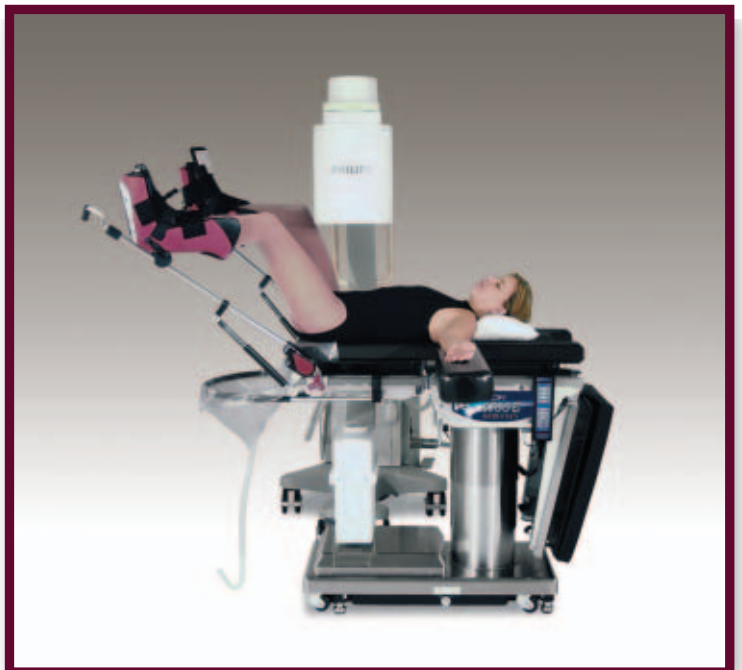
Upper Body Imaging



Lower Body Imaging



Lap Nissen



Urology



Ophthalmic/ENT



Nephrectomy



Neuro (neck)



Neuro (lumbar)

HERCULES 6700B General Purpose Positioning Guidelines



Shoulder Arthroscopy



Neuro (head)



Hip Revision



Cardiovascular

HERCULES 6700B Bariatric Recommended Positioning Guidelines



Abdominal



Gall Bladder



Cysto/GYN



Cardiovascular

HERCULES 6700B General Purpose/ Bariatric Surgical Table Specifications

Warranty

Standard warranty covers parts and labor for two full years.

Installation/Maintenance

Installation supervision is provided. Preventive maintenance and service are available.

In-Service Training

On-site surgical staff training is provided by your local Skytron representative.

Electrical Specifications

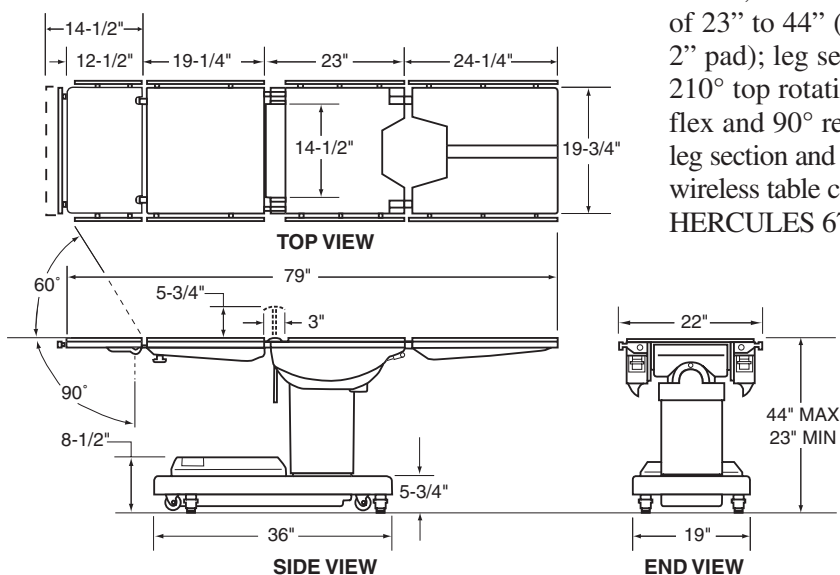
Power requirements: 120 VAC, 60Hz 450 Watts

Current leakage: Less than 100 micro amps

Power cord: 15 feet with hospital grade connector

Specifications

Electro-hydraulic operating room table shall operate at 120v, 60Hz, 1 phase and be protected by 15 amp circuit breaker. A removable 15-foot power cord with hospital grade plug shall be provided. Conductive casters shall allow side movement for ease of operation and cleaning. Unit is to be equipped with standardized side rails and a four-point, push-button operated braking system for safety and stability. A pendant-type control unit shall be operable from any point around the entire perimeter of the table. The table is to lift a 1,200 lb. and articulate a 1,000 lb. patient. Entire table top shall be radiolucent to provide image intensification capability. Positioning capabilities to include: lateral tilt of 30°; Trendelenburg and reverse Trendelenburg of 30°; Kidney bridge elevation of 5-3/4"; back up of 90°; back down of 40°; height adjustment range of 23" to 44" (27" to 48" with X-Ray top and 2" pad); leg section down 100°, leg section up 20°; 210° top rotation. Unit is also provided with 40° flex and 90° reflex function control button. Removable leg section and back section. *Optional* infrared (IR) wireless table control. Table is to be Skytron Model HERCULES 6700B (Battery Power).



B-E Hospital Equipment Company • 1917 Rutger Street • St. Louis, MO 63104
1.314.241.0855 • FAX 1.314.241.1932 EMAIL sales@behospital.com

Local Representative